

SKYWING III

Sports & High Mast Light

www.ishinelux.com

Tel: 0755-29815402 Email: info@ishinelux.com

SKYWING III Sports & High Mast Light

250W-1250W



Wattage



250W

500W

750W

1000W

1250W

SKYWING III Sports & High Mast Light ISL-QCD-C250W

250W up to 37083LM (10°)

Specifications

Optical Data

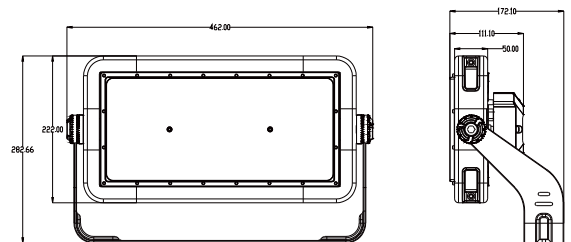
Power	240W~250W
LED Chips	Lumileds/OSRAM
Luminous Efficacy	130~140lm/W, 150-160lm/W
Luminous Flux	33142LM (90°)
CCT	3000K/4000K/5000K/5700K/6500K
Beam Angle	10°/25°/45°/60°/90°/130°*30°*60°
CRI (Ra)	70+ / 80+

Electrical Data

Driver	Meanwell/Sosen
Input Voltage	AC100-277V
Power Factor	>0.95
Output Voltage	DC42V
Total Harmonic Distortion	< 15%
Driver Efficiency	92%

Others

IP Rating	IP66
Lifespan	60,000Hrs
Housing	Die-cast aluminum
Lens Material	Polycarbonate
Fixture Size	462*222*111 mm
Carton Size	550*440*190 mm
Net Weight	8KG
Gross Weight	9.35KG



SKYWING III Sports & High Mast Light ISL-QCD-C500W

500W up to 74900 LM (10°)

Specifications

Optical Data

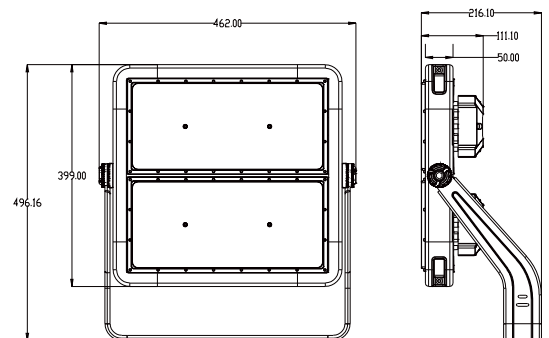
Power	480W~500W
LED Chips	Lumileds/OSRAM
Luminous Efficacy	130~140lm/W, 150-160lm/W
Luminous Flux	65853 LM (90°)
CCT	3000K/4000K/5000K/5700K/6500K
Beam Angle	10°/25°/45°/60°/90°/130°*30°*60°
CRI (Ra)	70+ / 80+

Electrical Data

Driver	Meanwell/Sosen
Input Voltage	AC100-277V
Power Factor	>0.95
Output Voltage	DC42V
Total Harmonic Distortion	< 15%
Driver Efficiency	92%

Others

IP Rating	IP66
Lifespan	60,000Hrs
Housing	Die-cast aluminum
Lens Material	Polycarbonate
Fixture Size	462*399*111 mm
Carton Size	613*536*175mm
Net Weight	15KG
Gross Weight	17.1KG



SKYWING III Sports & High Mast Light ISL-QCDC-C750W

750W up to 111401 LM (10°)

Specifications

Optical Data

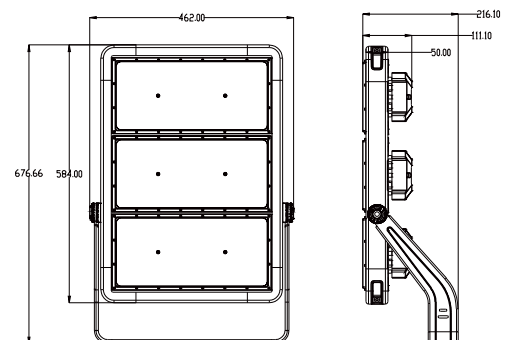
Power	720W~ 750W
LED Chips	Lumileds/OSRAM
Luminous Efficacy	130~140lm/W, 150-160lm/W
Luminous Flux	97461 LM (90°)
CCT	3000K/4000K/5000K/5700K/6500K
Beam Angle	10°/25°/45°/60°/90°/130°30°60°
CRI (Ra)	70+ / 80+

Electrical Data

Driver	Meanwell/Sosen
Input Voltage	AC100-277V
Power Factor	>0.95
Output Voltage	DC42V
Total Harmonic Distortion	< 15%
Driver Efficiency	92%

Others

IP Rating	IP66
Lifespan	60,000Hrs
Housing	Die-cast aluminum
Lens Material	Polycarbonate
Fixture Size	462*584*111 mm
Carton Size	680*550*240 mm
Net Weight	20KG
Gross Weight	22.75KG



SKYWING III Sports & High Mast Light ISL-QCD-C1000W

1000W up to 147959 LM (10°)

Specifications

Optical Data

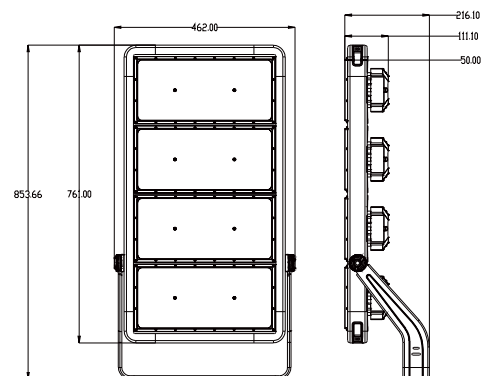
Power	960W~1000W
LED Chips	Lumileds/OSRAM
Luminous Efficacy	130~140lm/W, 150-160lm/W
Luminous Flux	128974 LM (90°)
CCT	3000K/4000K/5000K/5700K/6500K
Beam Angle	10°/25°/45°/60°/90°/130°*30°*60°
CRI (Ra)	70+ / 80+

Electrical Data

Driver	Meanwell/Sosen
Input Voltage	AC100-277V
Power Factor	>0.95
Output Voltage	DC42V
Total Harmonic Distortion	< 15%
Driver Efficiency	92%

Others

IP Rating	IP66
Lifespan	60,000Hrs
Housing	Die-cast aluminum
Lens Material	Polycarbonate
Fixture Size	462*761*111 mm
Carton Size	860*550*240 mm
Net Weight	26KG
Gross Weight	28.9KG



SKYWING III Sports & High Mast Light ISL-QCD-C1250W

1250W up to 192500LM (10°)

Specifications

Optical Data

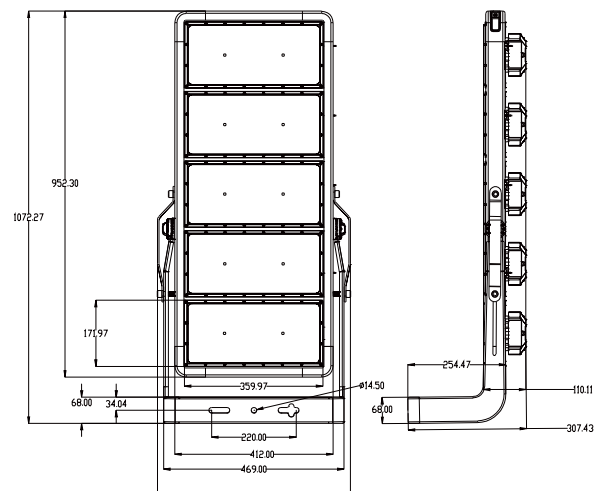
Power	1200W~ 1250W
LED Chips	Lumileds/OSRAM
Luminous Efficacy	130~140lm/W, 150-160lm/W
Luminous Flux	167500 LM (90°)
CCT	3000K/4000K/5000K/5700K/6500K
Beam Angle	10°/25°/45°/60°/90°/130°*30°*60°
CRI (Ra)	70+/ 80+

Electrical Data

Driver	Meanwell/Sosen
Input Voltage	AC100-277V
Power Factor	>0.95
Output Voltage	DC42V
Total Harmonic Distortion	< 15%
Driver Efficiency	92%

Others

IP Rating	IP66
Lifespan	60,000Hrs
Housing	Die-cast aluminum
Lens Material	Polycarbonate
Fixture Size	502*1072*307mm
Carton Size	1060*600*280 mm
Net Weight	36KG
Gross Weight	37KG



Feature display



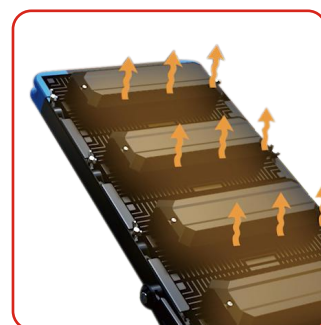
Spill Shield: Reducing light pollution



Raked Angel for Precise Installation

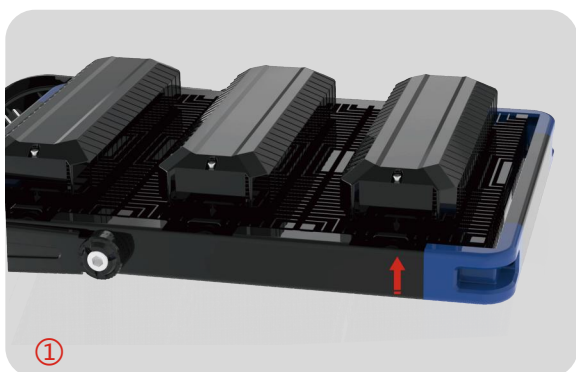


IP Rating: IP66

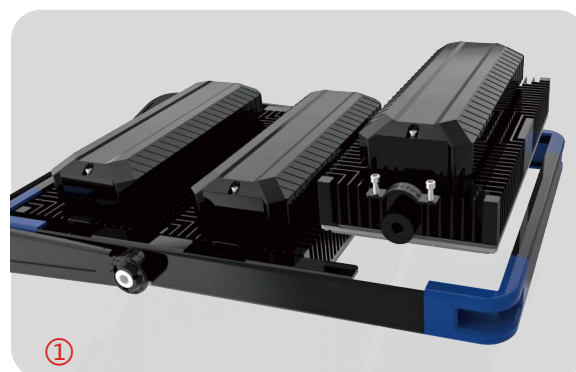


Efficient Heat Dissipation

Assemble and disassemble operation



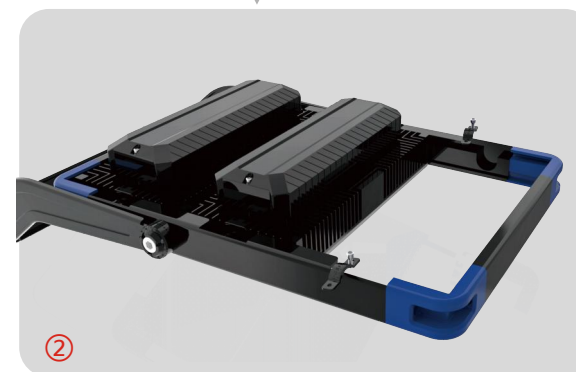
① Screw off the nuts be horizontal with the rear of light.



① Screw off the nuts and revolve it to 360 degree.

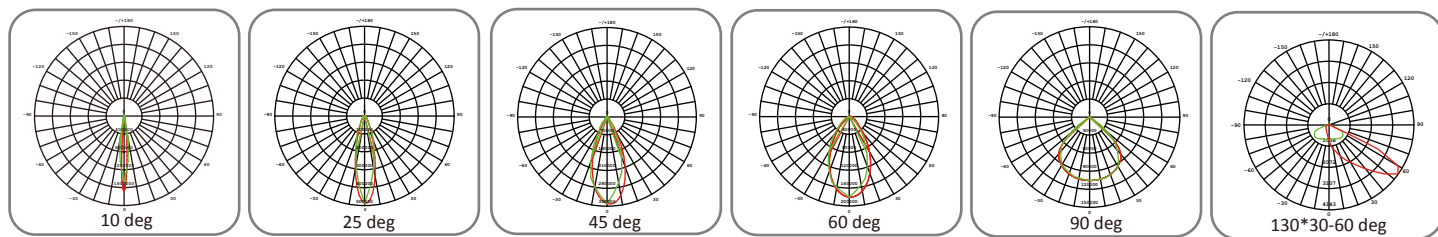


② Adjustable angle module is ± 30 degree.

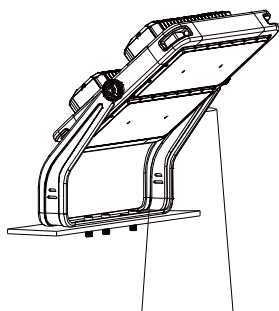


② Fetch out the defective module and make a crown.

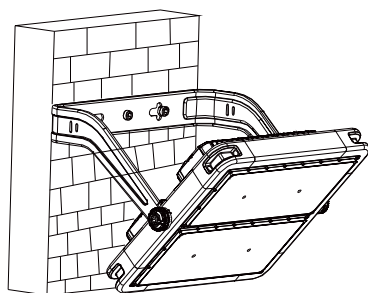
Photometric Diagrams



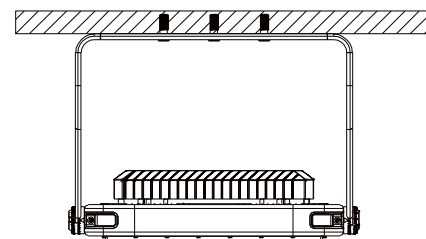
Installations



Vertical Mounting

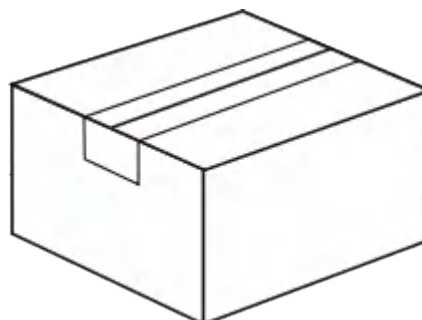
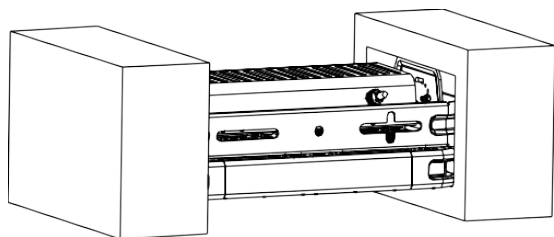


Wall Mounting



Hanging Mounting

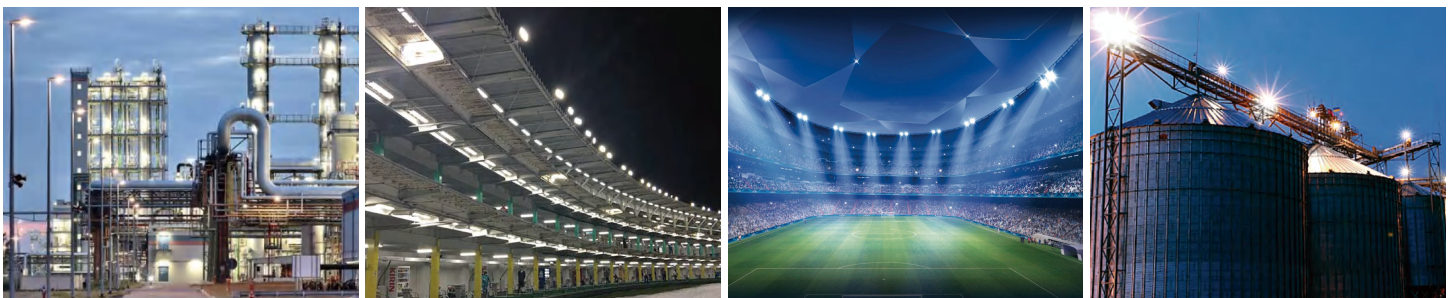
Package



Specifications

Part No.	ISL-QCD-C250W	ISL-QCD-C500W	ISL-QCD-C750W	ISL-QCD-C1000W	ISL-QCD-C1250W
Power Consumption	240W~250W	480W~500W	720W~750W	960W~1000W	1200W~1250W
Input Voltage	AC 100-277V				
LED Chip	Lumileds/Osram				
CRI	336PCS	672PCS	1008PCS	1344PCS	1680PCS
CRI	RA>70/ RA>80				
PowerFactor	>0.95				
Efficiency	130~140LM/W / 150LM~160LM/W				
IP Rating	IP66				
Working Temp	-35°C~+50°C				
Beam angel	10°/25°/45°/60°/90°/130°30°60°				
Warranty	5 years-7 years				
Product Size(MM)/ Carton Size(MM)	L462xW222xH111 / 550*440*190MM	L462xW399xH111/ 613*536*175MM	L462xW584xH111 / 680*550*240MM	L462xW761xH111 / 860*550*240MM	L502xW1072xH307/ 1060*600*280MM
N.W/G.W	8KG/9.35KG	15KG/17.1KG	20KG/22.75KG	26KG /28.9KG	36KG/37KG

Application



Application: Stadium, Wharf, Airport, Dock, Tower Crane, Large Outdoor Parking Lot, Football Field, Basketball Court, Tennis Court, Golf Course etc.